



## Environmental Permit

Environment Protection Act (CAP. 549)

Permit number:

**NP 0145/20**

Approved documents

**NP 0145/20/8B/9B/9C**

The Environment and Resources Authority (hereinafter the Authority; the Competent Authority or ERA) in exercise of its powers under the Environment Protection Act (CAP. 549), hereby authorises:

**Mr Richard Bilocca obo Water Services Corporation** (hereinafter “the Permit Holder”), Of / Whose Registered Office (or principal place of business) is at

Water Services Corporation  
Luqa Road,  
Qormi.

to carry out trenching works at

**Ghadira Bay**

The validity of this permit is **up to 30<sup>th</sup> April 2020**. An application for renewal of this permit is to be submitted at least **one (1) month** prior to expiry of this permit.

Signed	Date
<p style="text-align: center;">Anthony Aquilina Unit Manager (Permitting) F/ Director Environment and Resources</p>	<p style="text-align: center;">Permit Granted: 12 / 03 / 2020</p>

**Authorised to sign on behalf of the Competent Authority**

**This page has been deliberately left blank**

## Conditions

### Introductory Notei

The permit is granted in accordance with the provisions of the Environment Protection Act and Regulation 18(2) of the Flora, Fauna and Natural Habitats Protection Regulations, 2006 (S.L. 549.44), hereinafter referred to as the Regulations, for the purpose of the activities that shall be carried out within the Special Area of Conservation (SAC) and Special Protection Area (SPA) of L-Inħawi tal-Għadira ( MT0000015) .

The activity shall, subject to the conditions of this Permit, be managed, controlled and carried out as described in the NP Application, approved documents, and/or as otherwise previously agreed in writing by the Authority.

### Status Log

Detail	Date
<i>Application NP 0145/20</i>	12/03/2020
<i>Permit Issued</i>	12/03/2020

### Permitted Activities

1. The Permit Holder is authorised to carry out the activities and the associated activities specified in Table 1

**Table 1.**

Activity	Description of specified activity	Limits of specified activity
Trenching works	As per approved document NP 0145/20/9B	(i) Trenching works for laying of pipework and restoration of site to the original state.

### Site

2. The activities authorised under condition 1 shall be affected in the locations as marked on the approved site plan NP 0145/20/8B.

### Conditions of Activity/Work

3. Activities are to be held according to the approved Project Description Statement NP 0140/20/9B and section NP 0140/20/9C.
4. This permit is being issued in relation to works which are yet to be undertaken as per document NP 0145/20/8B
5. The permit holder shall ensure that disturbance of any specimen of any species should be kept to a minimum. It is the responsibility of the permit holder to ensure that no harm is caused to the environment either intentionally or accidentally.
6. The activity is to take place between sunrise and sunset.
7. Excavation within sand shall take place without excavation of the underlying bedrock, unless permitted in advance by ERA.

8. No concrete, asphalt or any extraneous material shall be laid within sandy areas, but such use shall be strictly limited to existing concreted or asphalted areas.
9. All vehicles used shall be mounted on rubber tyres and or rubber tracks. Use of metal tracks is prohibited.
10. Any excavated areas and area of works, including those where manoeuvring of vehicles has taken place, shall be restored to its original state and original site level.
11. The machinery that shall be used for the works on site shall be limited to a small excavators and trucks to cart away the excess material. Any natural sand shall not be carted away from site but shall be deposited within the beach area.
12. The vehicles shall be in a good state of maintenance and in any case do not leak oils or other polluting fluids. The vehicles shall be removed immediately once works are completed and before the expiration of this permit.
13. No form of mechanical means of transport or mechanized equipment and no form of driving, parking or manoeuvring of motor vehicles is permitted on vegetated areas within the protected site.
14. Any material stored on site shall not be placed on the bare vegetation but shall be placed on asphalted ground. This material shall be covered in such a way as to avoid creation of dust by wind entrainment or contaminated runoff through rain.
15. Mitigation measures shall be in place at all times throughout the activity to ensure that the works do not pose any adverse effect on the surrounding environment.
16. Works shall be carried out without damage to any existing tree and shrubs. No pruning of branches, trunks or roots shall be carried out. A distance of at least two metres shall be kept from any trees on site, including for any trenches.
17. The waste material shall be immediately collected and transported on registered waste carriers and disposed of in a permitted inert waste facility in accordance with the Waste Management (Activity Registration) Regulations 2007 (S.L. 549.45) and the Waste Regulations 2011 (S.L. 549.63). No stockpiling shall be allowed

### **General Conditions**

18. The 'Permit Holder', is responsible to ensure that all reasonable precautions are taken so that the activity conforms to the conditions in this Permit and the procedures outlined within the Permit application.
19. The activities covered by this permit are restricted to the permit holder, employees and/or volunteers and contracted parties commissioned for such activities/works under his supervision and direction, who shall all be made aware of this permit and the contents within.
20. The Permit holder is not exempt from any other legislation or regulations, codes of practice, conditions or requirements imposed by any other competent authorities, including the obtaining of permits, licenses, or clearances to undertake works authorised by this permit, including from site owners.

21. The following activities are strictly prohibited:

- a. the deliberate picking, collection, taking, cutting, uprooting, harming, destroying or damaging deliberately destroying, keeping, transporting, selling, buying exchanging, offering for sale or for exchange, importing or exporting in any way of any specimen of wild flora;
- b. the deliberate hunting, killing, capturing, taking, harming, disturbance particularly during periods of breeding, rearing, hibernation and migration, destruction and deterioration of breeding sites or resting places, pursuing, taking or attempting to take, deliberately killing or attempting to kill, deliberately destroying, keeping, transporting, selling, buying exchanging, offering for sale or for exchange, importing or exporting any specimen of any specimen of wild fauna;
- c. cutting or damaging of reeds, tree branches etc;
- d. introduction, removal, significant movement and re-engineering, and/or collection of sand, shingle, stone, soil and/or sediment;
- e. generation of excessive noise, including extremely loud music or the use of noisy generators, or light pollution through the use of floodlights;
- f. disposal, discharge or spillage of oil, fuel, paint or other pollutants, or of solid waste, ash or combustibles;
- g. lighting of fires.

17. ERA may request updates and/or further information on the activity in question as deemed necessary

18. The conditions imposed shall be adhered to throughout all the activities. Failure to do so may result in enforcement action and cessation of any related works or activities.

19. The Authority may add, amend, suspend or revoke this permit or part of this permit in cases of fraud, where public safety or significant environmental damage or risk is concerned, where there is an error on the face of the record or where there is a breach of one or more permit conditions after a written warning is given by the Authority or in any eventuality that gives the Authority enough reason to suspend or revoke this permit.

20. The Permit Holder may apply for a variation of the permit and shall seek the Authority's written agreement prior to any operational changes, by sending to the Authority:

- a. Written notice of the details of the proposed change, including an assessment of its possible effects or risks to the environment from the approved activity;
- b. Any relevant supporting information;
- c. Any relevant supporting assessments and drawings, and;
- d. The proposed implementation date.

Any such change shall only be implemented following the issue of a variation of the permit by the Authority.

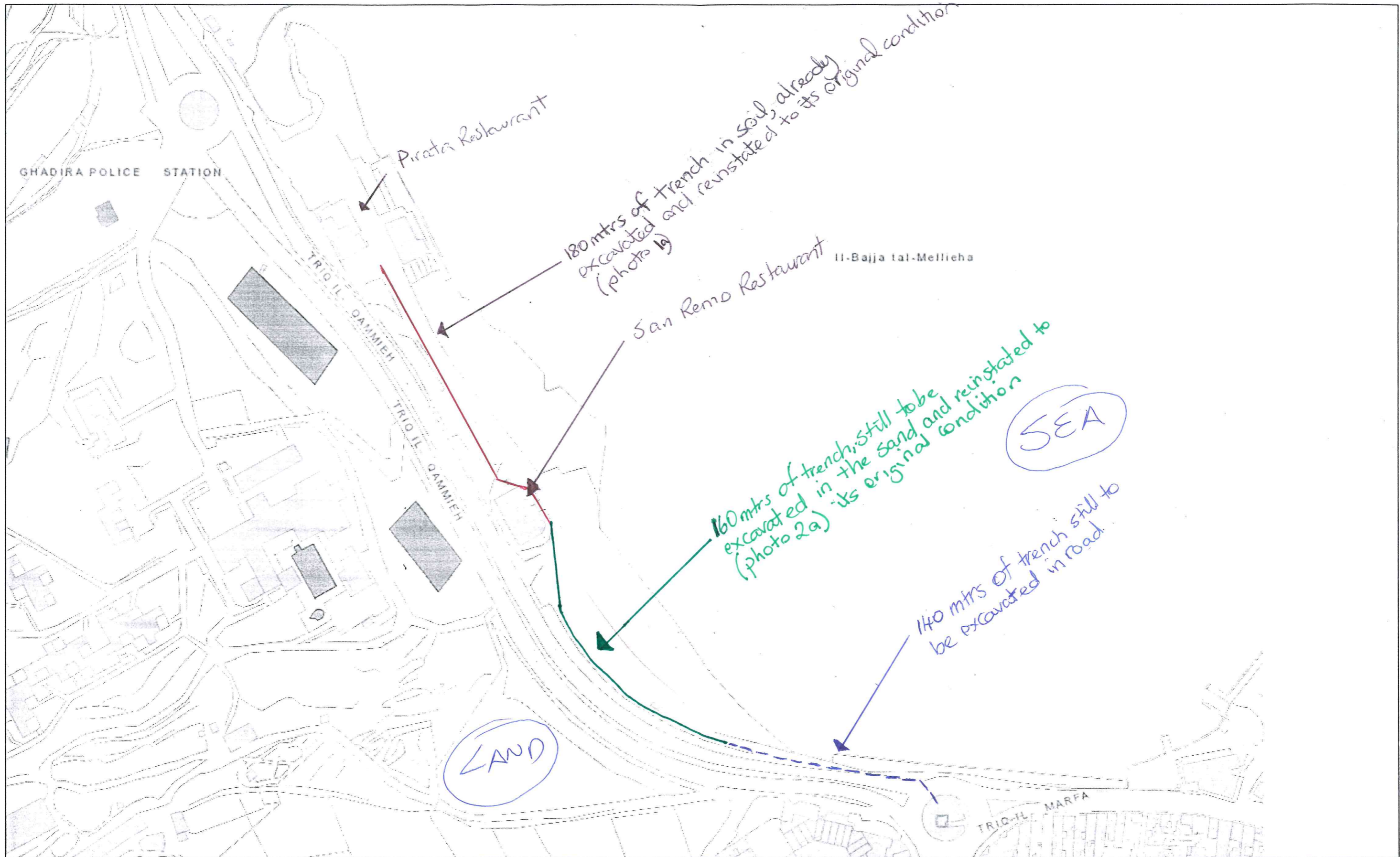
21. In accordance with Regulation 46(4) of S.L. 549.44, a brief report with photos of the activities held, including any publications as a result of the activity, is to be provided to ERA by the Permit Holder within one month of the expiry of the permit, and is to be submitted to [nature.permitting@era.org.mt](mailto:nature.permitting@era.org.mt). Information that should be treated as confidential as outlined in Regulation 48(4) of S.L. 549.44 shall be specified.

A template for the report is available at <http://era.org.mt/en/Documents/Activity%20Report%20template.doc>.

22. Any accidental handling, capture or collective of specimens or part thereof, whether dead or alive, of species listed within Schedule V and VI, and endemic species not listed in Schedule X of the Regulations shall be reported on nature.permitting@era.org.mt within seven (7) days of sampling/ identification of the specimen. Additional information on authorisations, keeping of such specimens or samples may be requested from the permit holder.
23. The Authority may add, amend, delete or substitute any of the conditions of this permit after notifying the Permit Holder of its intention and after describing the changes to the Permit Holder. This is without prejudice to any prevailing circumstances that would preclude the Authority from following such a procedure.
24. The Authority may suspend or revoke this environmental permit in line with the provisions of CAP 549.
25. The Permit Holder shall notify the following matters to the Authority in writing at least 10 working days prior to their occurrence:
  - a. Any change in the Permit Holder's trading name, registered name or registered office address;
  - b. Any change to particulars of the Permit Holder's corporate identity.
26. Upon the joint application of a Permit Holder and a proposed transferee, the Authority may transfer the nature permit to the proposed transferee. The transfer of the permit will not relieve any of the Permit Holders from their environmental obligations and liabilities.
27. In accordance with Regulation 47 of S.L. 549.44, details of the Permit Holder together with the details of conditions imposed in this Permit shall be maintained by the Authority in a register available for public inspection or maintained in electronic form.
28. ERA may inspect and monitor the activity at the expense of the Permit holder at rate and arrangement communicated by ERA's Compliance and Enforcement Directorate to ensure the safeguarding of the natural assets. ERA may also appoint other on-site monitors at the expense of the Permit Holder to act as an on-site liaison between the Permit Holder and ERA if the case arises.
29. The Authority's representatives may inspect and photograph any part of the site/ activity and ask for any closed or locked areas to be opened and may demand to be provided with any proof, documentation, plans, receipts or any other records.
30. This Permit including any Variation Notices or amendments to it shall be made available for any inspection by ERA officials at all times, or any legally recognised compliance and enforcement officials, when requested.
31. Whenever there is a conflict between the conditions of this permit and approved documents, the conditions of the permit shall prevail.
32. ERA shall not be held liable for any accidents or injuries which may occur during the activities being permitted through this Permit. It is the responsibility of the Permit Holder to ensure that all safety measures are taken.
33. This permit is without prejudice to any liability of the permit holder under the Act and to any punitive measures the Authority may wish to take with respect to works already carried out without permit.
34. The validity of this permit is **for a year from the granting date** of this permit. The Permit Holder may apply for a renewal to this permit expressing his/her intention at least four (4) weeks prior to the expiry of this permit. Request for renewals shall only

be considered upon confirmation of compliance with permit conditions and fulfilment of documentation as requested by this permit.

35. Any aggrieved person may appeal from this decision before the Environment and Review Tribunal within 30 days in terms of Article 63 of the Environment Protection Act.





## Method Statement

### The Project

The scope of this project is to repair an approximate 455 m stretch of 250 mm diameter gravity sewer main along *Triq il-Marfa* in *Mellieha*. An approximate stretch of 340 m will be passing through the sand in the bay whilst the other 115 m will emerge through the footpath and pass through the road in subject. The main will then connect to a pumping station inside the roundabout as per the attached site plan.

### Work Method Statement, General Public Safety and Traffic Management

Traffic management will be provided during the duration of the works. These should include all temporary signs, traffic and control equipment. After the duration of the works, these shall be removed to allow for the original signage and traffic flow.

### Health and Safety

The appointed contractor should employ an independent and qualified Health and Safety officer to regulate site works. Weekly reports should be carried out to identify any risks and hazards during the works.

### Setting out

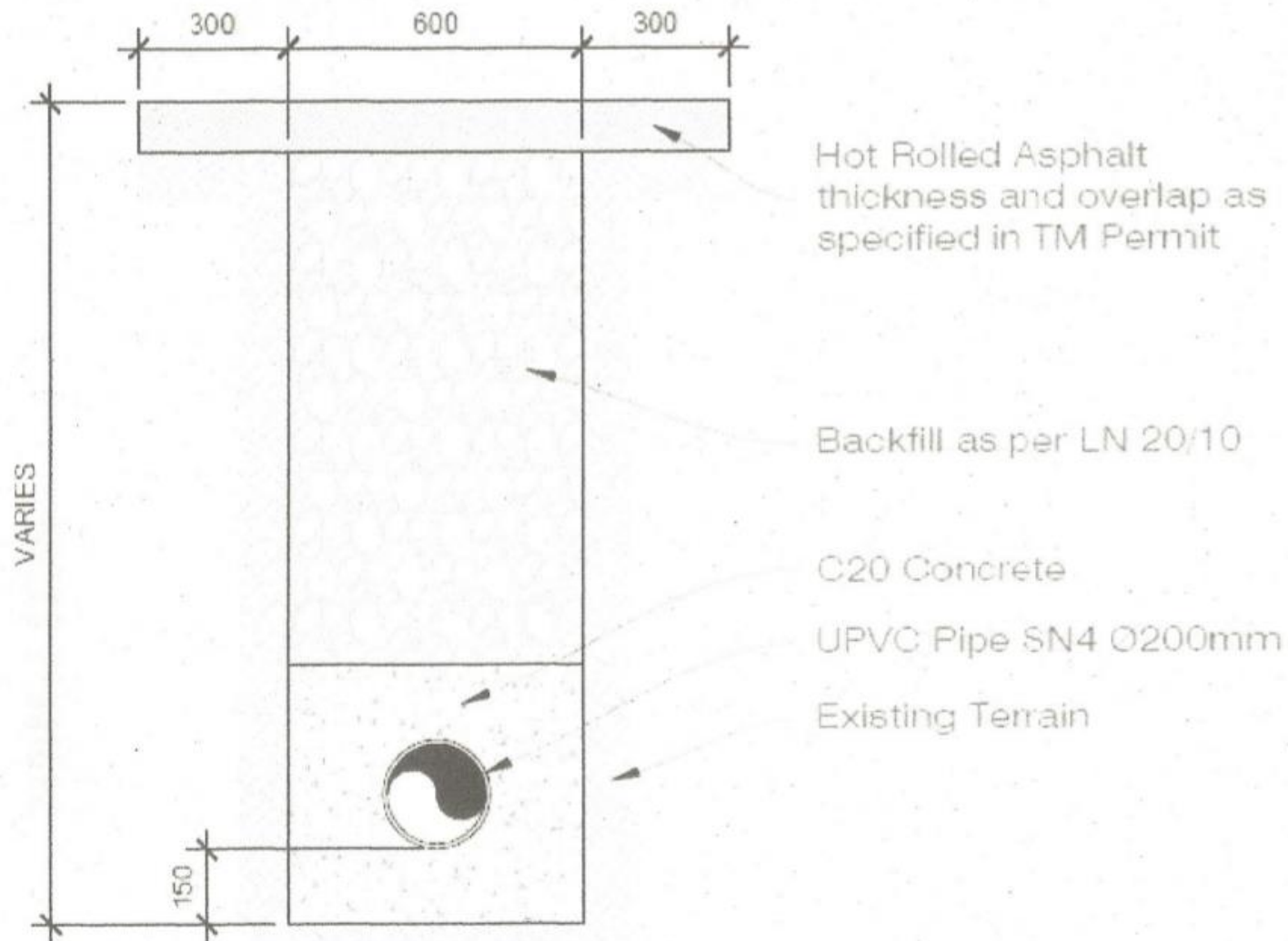
The appointed contractor will set out the trench as per attached section and will mark all manholes and levels as provided by the Project Owner.

### Trenching & Pipe laying works

The stretch of trench in the sand is to be backfilled by the excavated sand. All trenches should be excavated with mechanical equipment where the excavated material for the trench in the road should be carried away to an approved dumping site. The trench should be supported by means of structural system to support the sides of trenches against material slip and to securely stabilise the adjacent terrain. Concrete of grade C20 shall be laid to form the sloped base prior to laying of the pipeline. Steel mesh C503, or similar, reinforcement is to be used depending on the ground terrain and or as specified by the Project Owner. The 250 mm diameter sewer gravity pipe is to be lowered in the trench, if possible, by means of mechanical equipment and should be laid in the proper gradient. Concrete Grade C20 shall be laid around the pipe and up to 150 mm from the crown of pipe. The remainder of the trench is to be filled with lean mix C7.5. The manholes are to be constructed out of C25 with steel mesh.

### Surface finishes

The reinstatement in this project will be carried out by the contractor in charge of works. The contractor shall leave the C7.5 lean mix back-fill as smooth as possible on top of the width of trench.



**Typical Cross Section -  
Wastewater Gravity Main  
Ø200mm Pipe (E-E)**

Scale 1:20